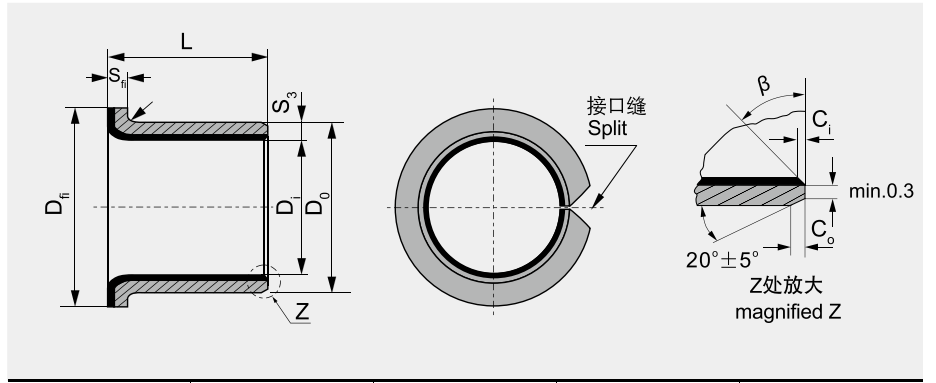


SF-1F 自润滑翻边轴承规格及公差

SF-1F Self-Lubricated Flange Bearing Specification & Tolerance



S ₃	1.0	1.5	2.0	2.5
r	1 ^{-0.5}	1 ± 0.5	1.5 ± 0.5	2 ± 0.5

单位Unit: mm

轴径(f7) Shaft D _s	座孔(H7) Housing D _H	(OD) 外径公差 Tolerance D _O	(ID)压装后 内孔公差 After fixed D _{ia}	配合间隙 Clearance C _O	Designation 型号规格	Wall thickness 壁厚 S ₃	尺寸 Dimension				
							D _i	D _O	D _{fi} ± 0.5	L ± 0.25	S _{fi} -0.2
6 -0.013 -0.028	8 +0.015	8 +0.055 +0.025	6.055 5.990	0.077 0.000	SF-1F06040	1.005 0.980	6	8	12	4	1
					SF-1F06070					7	
8 -0.013 -0.028	10 +0.015	10 +0.055 +0.025	8.055 7.990	0.083 0.003	SF-1F08055	1.005 0.980	8	10	15	5.5	1
					SF-1F08075					7.5	
10 -0.016 -0.034	12 +0.018	12 +0.055 +0.025	10.058 9.990	0.086 0.003	SF-1F10070	1.005 0.980	10	12	18	7	1
					SF-1F10090					9	
					SF-1F10120					12	
					SF-1F12070					7	
12 -0.016 -0.034	14 +0.018	14 +0.065 +0.030	12.058 11.990	0.092 0.006	SF-1F12090	1.005 0.980	12	14	20	1	
					SF-1F12120				9		
					SF-1F14120				12		
					SF-1F14170				12		
14 -0.016 -0.034	16 +0.018	16 +0.065 +0.030	14.058 13.990	0.092 0.006	SF-1F15090	1.005 0.980	14	16	22	1	
					SF-1F15170				17		
15 -0.016 -0.034	17 +0.018	17 +0.065 +0.030	15.058 14.990	0.092 0.006	SF-1F15120	1.005 0.980	15	17	23	1	
					SF-1F15170				17		
16 -0.016 -0.034	18 +0.018	18 +0.065 +0.030	16.058 15.990	0.092 0.006	SF-1F16120	1.005 0.980	16	18	24	1	
					SF-1F16170				17		
18 -0.016 -0.034	20 +0.021	20 +0.075 +0.035	18.061 17.990	0.095 0.006	SF-1F18120	1.005 0.980	18	20	26	1	
					SF-1F18170				17		
					SF-1F18200				20		
					SF-1F20115				11.5		
20 -0.020 -0.041	23 +0.021	23 +0.075 +0.035	20.071 19.990	0.112 0.010	SF-1F20165	1.505 1.475	20	23	30	1.5	
					SF-1F20215				16.5		
					SF-1F22150				21.5		
22 -0.020 -0.041	25 +0.021	25 +0.075 +0.035	22.071 21.990	0.112 0.010	SF-1F22200	1.505 1.475	22	25	32	1.5	
					SF-1F25115				15		
25 -0.020 -0.041	28 +0.021	28 +0.075 +0.035	25.071 24.990	0.112 0.010	SF-1F25165	1.505 1.475	25	28	35	1.5	
					SF-1F25215				20		
					SF-1F25215				21.5		
30 -0.025 -0.050	34 +0.025	34 +0.075 +0.035	30.085 29.990	0.126 0.010	SF-1F30160	2.005 1.970	30	34	42	2	
					SF-1F30260				16		
35 -0.025 -0.050	39 +0.025	39 +0.085 +0.045	35.085 34.990	0.135 0.015	SF-1F35160	2.005 1.970	35	39	47	2	
					SF-1F35260				16		
					SF-1F40260				26		
40 -0.025 -0.050	44 +0.025	44 +0.085 +0.045	40.085 39.990	0.135 0.015	SF-1F40400	2.005 1.970	40	44	53	2	
					SF-1F40400				40		