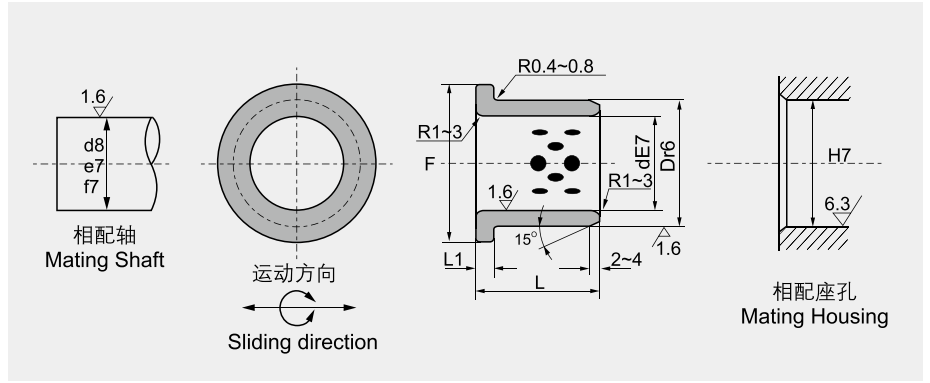


JFB 固体镶嵌自润滑翻边轴承标准公制尺寸
 JFB Solid Self-Lubricating Inlaid Flange Bearing Standard Metric Size



单位Unit: mm

d	D	d E7	Dr6	F	L ₁	L														
						15	20	25	30	35	40	50	60	80	100					
10	14	10	^{+0.040} / _{+0.025}	14	22	2	1015	1020												
12	18	12		18	25		1215	1220												
13	19	13		19	26		1315	1320												
14	20	14	^{+0.050} / _{+0.032}	20	27	3	1415	1420	1425											
15	21	15		21	28		1515	1520	1525	1530										
16	22	16		22	29		1615	1620	1625	1630										
20	30	20		30	40			2020	2025	2030	2035									
25	35	25	^{+0.061} / _{+0.040}	35	45			2520	2525	2530	2535	2540								
30	40	30		40	50			3020	3025	3030	3035	3040	3050							
35	45	35		45	60					3525	3530	3535	3540	3550						
40	50	40		50	65	5				4030	4035	4040	4050							
45	55	45	^{+0.075} / _{+0.050}	55	70					4530	4535	4540	4550	4560						
50	60	50		60	75						5035	5040	5050	5060						
55	65	55		65	80							5540	5550	5560						
60	75	60		75	90							6040	6050	6060	6080					
70	85	70	^{+0.090} / _{+0.060}	85	105	7.5							7050	7060	7080					
75	90	75		90	110								7550	7560	7580	75100				
80	100	80		100	120									8060	8080	80100				
90	110	90		110	130									9060	9080	90100				
100	120	100	^{+0.107} / _{+0.072}	120	150	10								10060	10080	100100				
120	140	120		140	170									12060	12080	120100				